

HCC-635, HCC-630 Series

HCC-635N-G

1/3", Super HAD, 0.1 lx 330TVL, NTSC, AC24V/DC12V

HCC-635P-G

1/3", Super HAD, 0.1 lx, 330TVL, PAL, AC24V/DC12V

HCC-630N-G

1/3", Super HAD, 0.1 lx, 330TVL, NTSC, DC12V

HCC-630P-G

1/3", Super HAD, 0.1 lx, 330TVL, PAL, DC12V

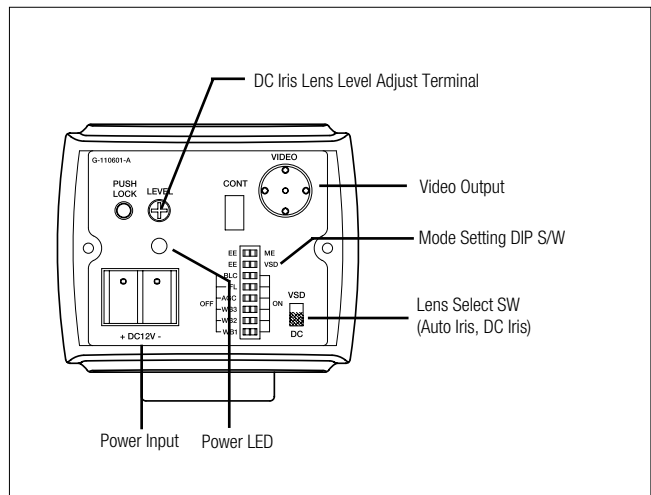


Lens not supplied with camera

KEY FEATURES

- Digital Signal Processing
- High sensitivity : 0.1 lx (F1.2, 30 IRE)
- Excellent S/N ratio more than 50dB
- Built-in edge intensification circuit for aperture correction
- Built-in flickerless function
- Various White Balance mode
- One Push AWB and Lock
- Built-in anti-ground loop isolation transformer

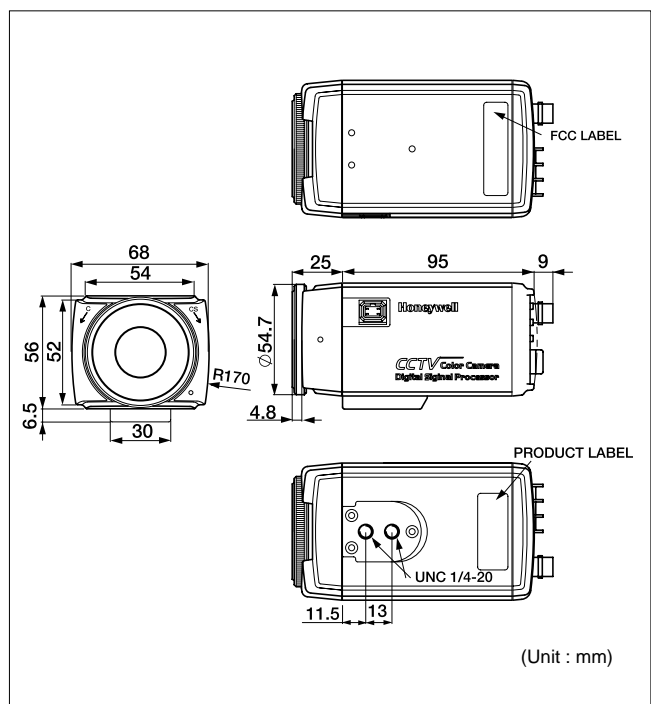
CONNECTIONS



SPECIFICATIONS

Model No.	HCC-635N/630N	HCC-635P/630P
Pick-up Device	1/3" Sony Super HAD Color CCD	
Effective Pixels	768(H) x 494(V)	752(H) x 582(V)
Television System	NTSC, 525 TV Lines, 2:1 Interlace	PAL, 625 TV Lines, 2:1 Interlace
Sync. System	Internal / Line-Lock (HCC-635N/P)	
Horizontal Resolution	330 TV Lines	
Minimum Illumination	0.1 lx (F1.2, 30 IRE)	
Shutter Speed	1/60 ~ 1/100k (10 steps)	1/50 ~ 1/100k (10 steps)
Electronic Exposure	ON / OFF switchable	
S/N Ratio	More than 50dB	
AGC	ON / OFF switchable	
White Balance	ATW / AWC / Indoor / Outdoor / Fluorescent Lamp / MWB	
BLC	ON / OFF switchable	
Video Output	Composite(1.0Vp-p), 75 Ω	
Lens Control	Auto iris / DC iris	
Power	HCC-635N/P	AC24V/DC12V (Non polarity)
Source	HCC-630N/P	DC12V
Power Consumption	Maximum 3.2W	
Connector	Video Output	BNC
	Lens Connector	4-pin connector
Operating Temperature	-10°C ~ 50°C	
Storage Temperature	-20°C ~ 70°C	
Operating Humidity	Under 90 % RH (non-condensing)	
Lens Mount	C/CS Mount	
Camera Mount	Locking holder included	
Material	Aluminum	
Color	Ivory	
Weight	350g	
Dimensions	68(W) x 56(H) x 120(D) mm	
Certification	FCC (HCC-635N/630N), CE (HCC-635P/630P)	

DIMENSIONS



(Unit : mm)