

H4D Series S

equiP® SERIES S 1080p / 3 MP / 5 MP TRUE DAY/NIGHT H.264 RUGGED INDOOR/OUTDOOR MINIDOME IP CAMERA

Honeywell's H.264 rugged indoor/outdoor H4D Series S cameras offer high definition resolution at full frame rate, progressive scan technology, and edge enhancement for outstanding picture clarity. ONVIF (Profile S) compliance ensures hassle-free, flexible system integration.

Choose the Resolution That's Right for Your Application

- 1080p, 3 megapixel and 5 megapixel models
- Quad stream compression (H.264-1+H.264-2+H.264-3+H.264-4/MJPEG).
- Configurable resolution and frame rate for each selected H.264 stream.

Maximize Bandwidth without Losing Image Quality

- Highly efficient H.264 video compression.
- 3DNR (Digital Noise Reduction) and proprietary SPQ (Smart Picture Quality) provide significant storage savings without sacrificing image quality in low light.
- CMOS progressive scan imager ensures accurate colour rendition through a wide variety of lighting conditions.

P-Iris Control Improves Contrast and Clarity

- The P-Iris setting keeps both close and distant objects in the scene in focus simultaneously, even in changing lighting conditions.

Onboard Video Storage

- Up to 32 GB microSDHC (Class 10) support. Card not included.

Privacy Masking

- Conceal up to 5 areas of a scene from viewing and recording.

Time is Money—Installation and Upgrading Made Easy

- Camera and lens integrated in a compact, single-piece unit.
- Built-in PoE (Power over Ethernet) eliminates separate power supply and associated wiring. 12 V DC or 24 V AC inputs where PoE power is unavailable.
- Remote configuration, auto focus and motorized zoom adjustments, and firmware updating through Honeywell Viewer web client or from an NVR/DVR. Password-protected access to the camera's video and network setup.
- Export/import of configuration facilitates quick rollout of multiple cameras.

Market Opportunities

The H4D Series S cameras are perfect for outdoor installations that require excellent picture quality at minimal bandwidth. The H4D Series S cameras can be retrofitted on many existing DVR/NVR installations without requiring additional storage. Its discreet, vandal-resistant (IK10), outdoor design provides maximum protection against dust, dirt and water and provides optimum performance for both indoor and outdoor applications.

Features

- Up to 25 fps (30 fps for NTSC) progressive scan
- True day/night, 3–9 mm (F1.2) MFZ lens with removable IR cut filter. H4D5S2X lens is 5-9 mm (F1.5) when set to 5 MP resolution
- Up to x8 digital zoom
- Supports both dynamic and static IP addresses and APIPA auto-IP addressing
- Vandal-resistant rugged polycarbonate dome (IK10)
- Camera tamper detection and video motion detection
- Date and time stamp embedded in video stream
- Configurable user privileges for simple viewing or administrator control and setup of functions
- Built-in heater for cold climates (requires 12 V DC or 24 V AC)
- Input (x1) and output (x1) alarm contacts
- Bi-directional audio communication
- IP66 enclosure ingress rating



H4D Series S

FEATURES

Immediately Detect and Respond to Events

The camera can be configured to automatically detect and respond to events such as motion in the scene, alarm inputs, a network failure and/or tampering. Automated responses include:

- Sending a notification through email, FTP and/or HTTP.
- Uploading still images at the time of the event through email and/or FTP.
- Recording a video clip of the event to a configured microSDHC memory card or Network Attached Storage device.
- Enabling a visual or auditory notification (for example, a flashing light, bell or siren).

The screenshot displays the Honeywell equIP Series S web interface. At the top, the Honeywell logo and 'equIP® Series S' are visible, along with the user 'admin' and navigation tabs for Home, System, Streaming, Camera (selected), and Logout. The interface is divided into several sections:

- Exposure:** Includes Max Gain (3), Auto Iris, P-Iris Priority, Iris Size Setting (Auto Detect selected), Manual, Min Shutter Speed (1/4), Iris Priority, Auto Shutter, Shutter Priority, and Manual Mode.
- White Balance:** Includes Auto (selected), ATW, and Manual, with Rgain (57) and Bgain (54) sliders.
- Picture Adjustment:** Includes Backlight (Off) and Digital Zoom.
- Video Feed:** A live video window titled 'Zoom trigger AF' showing a white car in a parking lot, with a timestamp of '2013/12/06 14:50' and a 'Languages' dropdown.
- Video Format:** H.264-1 (selected) and H.264-2.
- Zoom:** Wide, Tele, and a slider.
- Focus:** Near, Far, and Push AF.
- AF Mode:** Manual and Zm Trig.
- Bitrate Information:** MJPEG bitrate: middle compression, middle quality; H.264-1 bitrate: 4096 kbps, middle compression; H.264-2 bitrate: 1024 kbps, high compression, low quality; H.264-3 bitrate: 1024 kbps, high compression, low quality; H.264-4 bitrate: 1024 kbps, high compression, low quality.

H4D Series S

SPECIFICATIONS

Operational	
Video Standard	PAL/NTSC
Scanning System	Progressive scan
Image Sensor	H4D2S2X: 1/2.7" CMOS H4D3S2X: 1/3" CMOS H4D5S2X: 1/2.5" CMOS
Number of Pixels (H x V)	H4D2S2X: 1920 x 1080 (1080p) H4D3S2X: 2048 x 1536 (3 MP) H4D5S2X: 2592 x 1944 (5 MP)
Minimum Illumination	H4D2S2X: 0.45 lux colour/0.02 lux BW @ 50 IRE, F1.2 H4D3S2X: 0.3 lux colour/0.01 lux BW @ 50 IRE, F1.2 H4D5S2X: 0.5 lux colour/0.02 lux BW @ 50 IRE, F1.2
Video Output (AUX)	1.0 Vp-p @ 75 ohms
S/N Ratio	50 dB or more (AGC off)
Auto Gain Control	Off/On, selectable (10–40 dB)
Wide Dynamic Range	H4D2S2X: 69 dB H4D3S2X: 69 dB H4D5S2X: 70 dB
Automatic Electronic Shutter	1–1/10,000 s (PAL and NTSC)
Lens Type	3–9 mm MFZ, F1.2 wide/F2.1 tele (H4D5S2X cameras @ 5 MP: 5–9 mm, F1.5 wide/F2.1 tele)
Horizontal Angle of View	H4D2S2X 108° wide; 41° tele H4D3S2X @ 3 MP: 90° wide; 30° tele H4D3S2X @ 1080p: 86° wide; 28° tele H4D5S2X @ 5 MP: 64° wide; 37° tele H4D5S2X @ 3 MP: 90° wide; 30° tele H4D5S2X @ 1080p: 86° wide; 28° tele
Vertical Angle of View	H4D2S2X 75° wide; 24° tele H4D3S2X @ 3 MP: 74° wide; 23° tele H4D3S2X @ 1080p: 56° wide; 16° tele H4D5S2X @ 5 MP: 50° wide; 28° tele H4D5S2X @ 3 MP: 74° wide; 23° tele H4D5S2X @ 1080p: 55° wide; 16° tele
White Balance	Manual/AWB/ATW
Audio/Two Way	Line in/out
White Balance	Auto/ATW/Manual
Privacy Masking	5 programmable zones
Audio/Two Way	Line in/out
Electrical	
Input Voltage	12 V DC, 24 V AC, PoE IEEE 802.3af, Type 1, Class 0
Power Consumption	14.4 W (max) 12 V DC/24 V AC PD Type 1, Class 0, 12.95 W (max)
Mechanical	
Dimensions (W x H)	ø151 mm x 130 mm
Weight	0.8 kg
Construction	Housing: Die cast aluminium Finish: White powder coat Dome Cover: Polycarbonate 3/4" NPT side and rear conduits. Cable gland included
Recording and Storage	Up to 32 GB microSDHC card (class 10) and Network Attached Storage (NAS) support (card and NAS not included)
Connectors	Video output (AUX): BNC connector Power input: 3-pin terminal block Network: RJ45 connector Alarm I/O: 4-pin terminal block Audio I/O: 4-pin terminal block

Environmental			
Operating Temperature	PoE: –10°C to 50°C 12 V DC Heater: –30°C to 50°C 24 V AC Heater: –40°C to 50°C		
Storage Temperature	–20°C to 70°C		
Rating	IK10, IP66		
IP Specifications			
Video Compression	H.264 Baseline/Main/High Profile, Motion JPEG		
Primary Stream Resolution	H.264 Bitrate (Typical) ¹	Frame Rate	Storage/Day (GB)
2592 × 1944 ²	4.0 Mbps	12	42.2
2048 × 1536 ³	4.0 Mbps	15	42.2
1920 × 1080	4.0 Mbps	25/30	42.2
1280 × 1024	4.0 Mbps	25/30	42.2
1280 × 720	2.0 Mbps	25/30	21.1
1024 × 768	2.0 Mbps	25/30	21.1
800 × 600	2.0 Mbps	25/30	21.1
720 × 480	1.0 Mbps	25/30	10.5
640 × 480	1.0 Mbps	25/30	10.5
352 × 240	0.5 Mbps	25/30	5.3
Frame Rate (PAL/NTSC)	1080p and lower: Up to 25/30 fps 3 MP: Up to 15 fps 5 MP: Up to 12 fps		
Video Streaming	Quad streaming: H.264 (x3) and H.264/MJPEG Controllable frame rate and bandwidth Constant or variable bitrate		
Security	Multiple user access levels with password protection		
Video Access from Web Browser	Full control of all camera settings available to administrator		
System Requirements	CPU: Pentium M 2.16 GHz or Intel Core 2 Duo 2.0 GHz RAM: 2 GB or more Network Card: 10Base-T (10 Mbps) minimum or 100Base-TX (100 Mbps) recommended OS: Windows XP, Windows Vista, or Windows 7 Browser: Internet Explorer 6.0 or later (32-bit), Google Chrome, Mozilla Firefox, or Apple Safari		
Installation and Management Maintenance	Honeywell Device Search software identifies the IP address, discovers cameras, supports firmware upgrades		
Supported Protocols ⁴	IPv4/v6, TCP/IP, UDP, RTP, RTSP, HTTP, HTTPS, ICMP, FTP, SMTP, DHCP, PPPoE, UPnP, IGMP, SNMP, QoS, SSL, DDNS, NTP		
Standards	ONVIF (Profile S)		
Regulatory			
Emissions	FCC part 15B, CE (EN 55022)		
Immunity	CE (EN 50130-4)		
Safety	CE (EN 60950-1) North America UL listed to UL/CSA 60950-1		

¹ Actual bitrate is scene and motion dependent with H.264 stream.

² H4D5S2X cameras only.

³ H4D5S2X and H4D3S2X cameras only.

⁴ Some development may be required in specific user cases to support some of these protocols in the field as they mature over time.

H4D Series S

ORDERING

System Integration

Open IP Integration

ONVIF support and open API for software integration. Refer to www.onvif.org for the ONVIF specification and the Honeywell Open Technology Alliance website (<http://www.security.honeywell.com/hota>) to learn more about our open and integrated solutions.



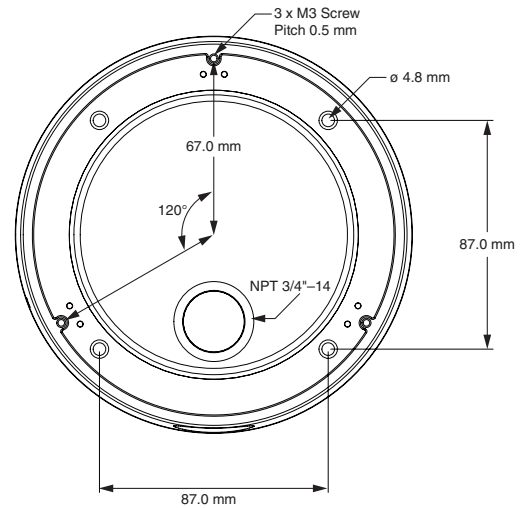
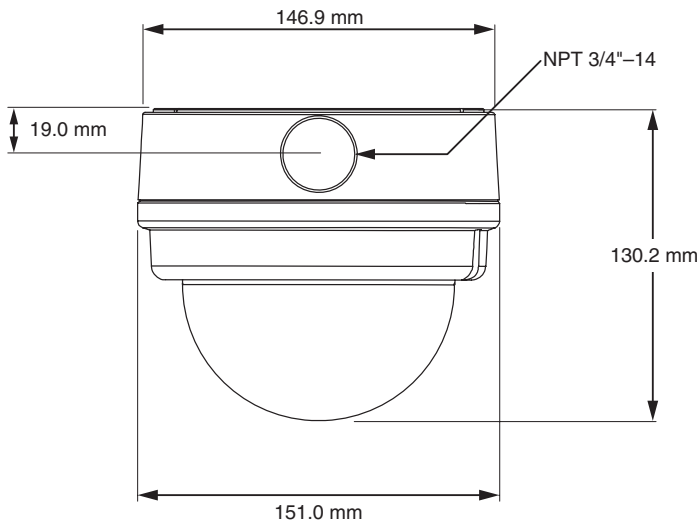
Accessories

Housing and Mounts

H34S-IC	In Ceiling Mount
H4SIP-PK	Pendant Mounting Kit with Outdoor Housing and Sunshield
H4SIP-WK	Wall Mounting Kit with Outdoor Housing and Sunshield
HSWK-PM	Pole Mounting Adapter for Wall Mounting Kit (H4SIP-WK)

Vandal Resistant Covers

H4S-CB	Transparent Bubble with Upper Metal Housing
H4S-SB	Smoke Bubble with Upper Metal Housing



Ordering

equiP® Series 1080p/3 MP/5 MP MFZ Lens True Day/Night Rugged Indoor/Outdoor Minidome IP Camera

	Model Number	1080p	3 MP	5 MP	TDN	P-IRIS
PAL	H4D2S2X	✓			✓	✓
	H4D3S2X		✓		✓	✓
	H4D5S2X			✓	✓	✓

NOTE: Honeywell reserves the right, without notification, to make changes in product design or specifications.



All other company names and products are trade names, trademarks or registered trademarks of their respective companies.

For additional information, please visit

www.honeywell.com/security/uk

Honeywell Security Group

Aston Fields Road
Whitehouse Industrial Estate
Runcorn
Cheshire WA7 3DL
Tel: 08448 000 235
www.honeywell.com

